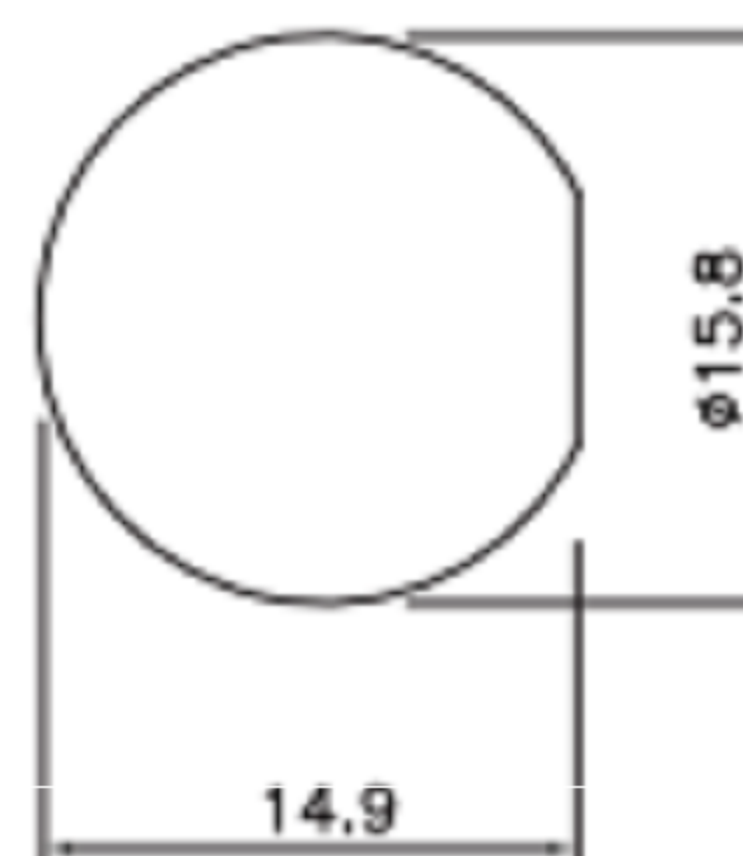


开孔尺寸  
hole opening size



板后安装针型插座(卡扣式)  
E10 Male Back Mount Solder Receptacle(Bayonet)



E10B - P 3B - PWF

芯数:
A:2 3 4 5 6 7
8 10 12
B:2B 3B 4B
C:2C 3C 4C

E10·PCB芯位图 E10 PCB PINS ARRANGEMENT

芯数 Pins	2	3	4	5	6	7	8	10	12	
A编码 A-Code										
芯数 Pins	2B	3B	4B				芯数 Pins	2C	3C	4C
B编码 B-Code							C编码 C-Code			

E10·电气参数 E10 ELECTRICAL PARAMETERS

芯数排列及技术参数 PINS ARRANGEMENT & TECHNICAL PARAMETERS															
芯数 Pins	2B	3B	4B	2C	3C	4C									
芯位排布 Pins arrangement															
芯数 Pins	2	3	4	5	6	7	8	10	12						
芯位排布 Pins arrangement															
规格 SPECIFICATIONS															
芯数 Pins	2B	3B	4B	2C	3C	4C	2	3	4	5	6	7	8	10	12
线规 Wire gauge	0.823mm <sup>2</sup> (18AWG)						0.519mm <sup>2</sup> (20AWG)						0.34mm <sup>2</sup> (22AWG)		
引脚类型 Pin type	Ø 1.6mm						Ø 1.0mm						Ø 0.8mm		
接线范围 Wiring range	3.5mm-10.0mm														
防水等级 Waterproof grade	IP67/IP68														
插拔次数 Durability	500														
适用温度 Applicable temperature	-45°C-105°C														
额定电压 Rated voltage	300V	300V	300V	125V	125V	125V	60V	60V	60V	60V	60V	60V	60V	30V	30V
额定电流 Rated current	10A	10A	10A	10A	10A	10A	5A	5A	5A	5A	5A	5A	5A	2A	2A

东莞市高迪电子有限公司  
DONG GUAN GAO DI ELECTRONICS CO., LTD

TOLERANCE UNLESS OTHERWISE STATED: Up to 5 ±0.2, Above 5 ~ 15 ±0.3, Above 15 ~ 30 ±0.4, Above 30 ~ 50 ±0.5, Angle ±0.3°

3RD. ANGEL'S

UNITS MM

DRAWN BY:	DATE	MAT'L	TITLE	CONNECTOR
Jack Lu	12/13/19		MODLE	E10B - P 3B - PWF
CHECKED BY:	DATE	FINISH	DWG NO.	
Jacky Chen	12/13/19			SIZE A4
APPROVED BY:	DATE	SCALE	PART NO.	VER R1
Tony Kao	12/13/19	1:1		
SHEET NO.	1 of 1			